

CREMAINS INTERNMENT VAULT INTERNMENT SYSTEM

Patents & Trademarks

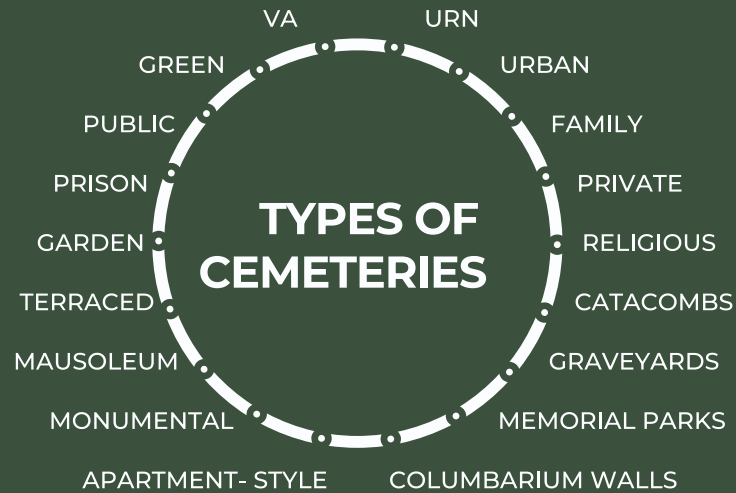
21ST CENTURY
DEVELOPMENTAL ROADMAP
FOR CEMETERY INTERNMENT

CIVIS™

Licensing Availability

Copyright 2024

FOR INFORMATION CONTACT
ROBERT MCELROY, PH.D.
RM@DrRobertMcElroy.COM | 561 - 703 - 3881



ECONOMIC OPPORTUNITIES

- Type of cemetery
- Cemetery wide license [select cemetery types or areas within might not be charged]
- Individual grave site license
- Individual grave site specific CIVIS system for subterranean interment
- Electronic database record and data entry fee



MAIN GATE, ALEXANDRIA NATIONAL CEMETERY

*Courtesy of the Department of Veterans Affairs
National Cemetery Administration, History Program*

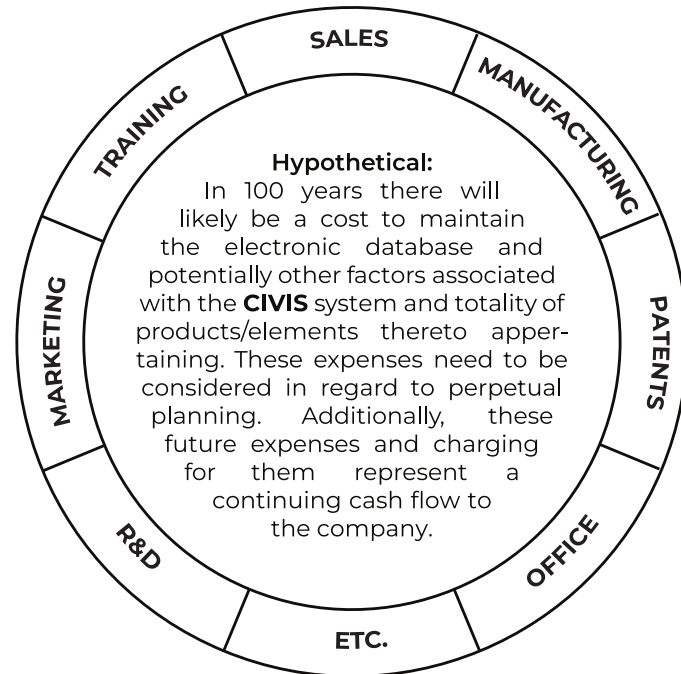
ROBERT MCELROY, PH.D.

RM@FORENSICACCIDENT.COM | 561 - 703 - 3881



VISIONING TOPICS

CIVIS has been crafted as a perpetual and low-cost system for the cemetery. It is appropriate to consider possible fees that could be assessed periodically to the identified entities and parties that would benefit from the system.



T

TECHNICAL 1:

A HIGH-DENSITY SUB-SURFACE COLUMBARIUM HAS ADVANTAGES, INCLUDING

- ① **Maximizing Space:** A sub-surface columbarium can be built underground, which allows for maximum use of space without taking up valuable surface area. High-density designs further increase the amount of storage space available..
- ② **Increased Security:** The sub-surface nature of a columbarium provides added security for the urns, protecting them from weather and vandalism.
- ③ **Environmentally-Friendly:** By using space underground, a high-density sub-surface columbarium can be designed to minimize the impact on the environment. Additionally, the design may include energy - efficient lighting and ventilation.



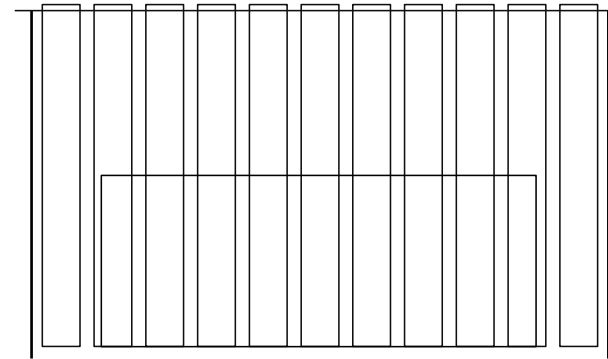
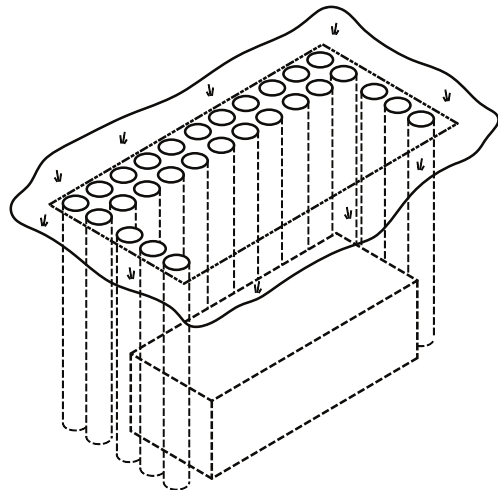
- ④ **Long-Term Durability:** A sub-surface columbarium is built to withstand environmental pressures such as water and soil, making it a durable option for long-term storage of urns.
- ⑤ **Cost-Effective:** By maximizing space, a high-density sub-surface columbarium can be cost-effective in comparison to above-ground columbariums. Additionally, it requires less maintenance over time.
- ⑥ **Aesthetic Appeal:** A well-designed sub-surface columbarium can be aesthetically pleasing, adding to the beauty of a cemetery or memorial park while also providing a respectful and serene environment for mourners to visit their loved ones.

T2

TECHNICAL 2:

SPECIFIC ADVANTAGES OF HIGH - DENSITY SUB - SURFACE COLUMBARIUM

A columbarium is a structure that provides above ground storage for urns containing the cremated remains of loved ones. A high-density sub-surface columbarium, on the other hand, is an underground structure designed to maximize space while providing a secure, durable, and cost-effective storage solution. In this document, we will discuss the advantages of high-density sub-surface columbariums.



One of the main advantages of a high-density sub-surface columbarium is the ability to maximize space. By building underground, this type of columbarium can make use of the available space without taking up valuable surface area. The design can be optimized to provide a maximum number of niches per unit of land, thereby increasing the overall capacity of the structure. High-density designs further increase the amount of storage space available, allowing for more urns to be stored in a smaller footprint.

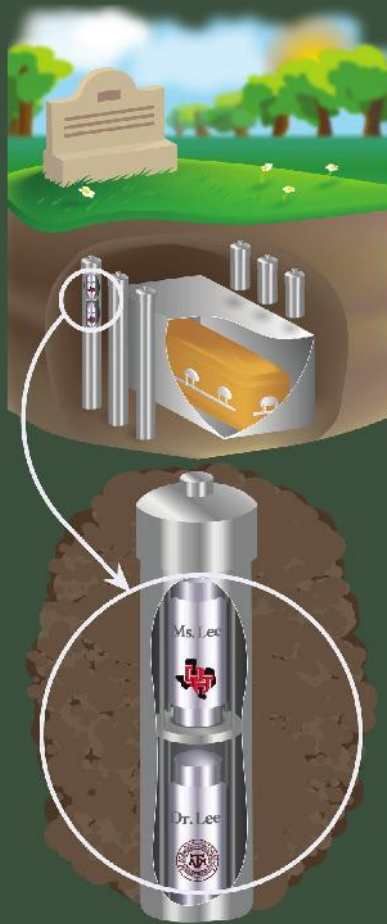
T2

SPECIFIC ADVANTAGES OF HIGH - DENSITY SUB - SURFACE COLUMBARIUM

CIVIS™ | 05

Another advantage of a high-density sub-surface columbarium is increased security. Since it is built underground, urns are protected from the elements and are less susceptible to weather damage. Additionally, the structure is typically constructed with durable materials, making it more resistant to vandalism or other forms of damage.

A high-density sub-surface columbarium is also an environmentally-friendly option. By building underground, the structure can be designed to minimize the impact on the surrounding environment. The design can include features such as energy - efficient lighting and ventilation systems, which can reduce energy usage and minimize the structure's carbon footprint. Additionally, the underground location of the structure means that it has a lower visual impact on the surrounding area.



In terms of long-term durability, a high-density sub-surface columbarium is an excellent option. Since it is built underground, it is protected from water damage, which can be a concern for above-ground structures. The structure is also built to withstand soil pressure, ensuring its long-term stability. This means that it requires less maintenance over time, making it a cost-effective option in the long run.

Speaking of cost-effectiveness, a high-density sub-surface columbarium can be a more affordable option compared to above-ground structures. Since it maximizes space, it allows for more urns to be stored in a smaller area, reducing the cost of land and construction. Additionally, its long-term durability means that it requires less maintenance and repair, which can save costs over time.

ROBERT MCELROY, PH.D.
RM@FORENSICACCIDENT.COM | 561 - 703 - 3881

T2

SPECIFIC ADVANTAGES OF HIGH-DENSITY SUB-SURFACE COLUMBARIUM

Finally, a high-density sub-surface columbarium can be designed to be aesthetically pleasing. It can provide a respectful and serene environment for mourners to visit their loved ones, while also adding to the beauty of a cemetery or memorial park. Its underground location can create a peaceful and contemplative atmosphere, making it a preferred option for many.

In conclusion, a high-density sub-surface columbarium offers several advantages over above-ground columbariums. It maximizes space, provides increased security, is environmentally-friendly, and is durable and cost-effective. Additionally, it can be aesthetically pleasing, providing a respectful and peaceful environment for mourners to visit their loved ones. Overall, it is an excellent option for those who are looking for a long-term storage solution that is both practical and beautiful.



BURIAL URNS
PERSONALIZED & CUSTOMIZED

ROBERT MCELROY, PH.D.

RM@FORENSICACCIDENT.COM | 561 - 703 - 3881

CREMAINS INTERNMENT VAULT INTERNMENT SYSTEM

Patents & Trademarks

21ST CENTURY
DEVELOPMENTAL ROADMAP
FOR CEMETERY INTERNMENT

CIVIS™

Licensing Availability

Copyright 2024

FOR INFORMATION CONTACT
ROBERT MCELROY, PH.D.
RM@DrRobertMcElroy.COM | 561 - 703 - 3881